

SE2641TC2

60CM Touch Control Ceramic hob
with angled edge glass

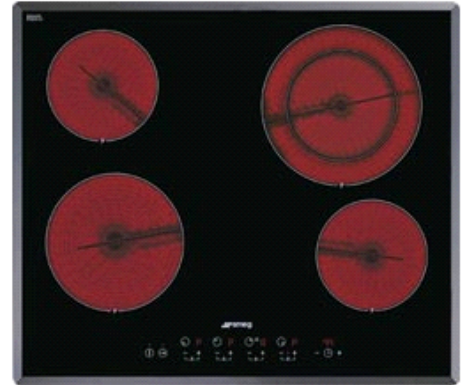
EAN13: 8017709138561

4 High-light radiant zones, including one dual

- Rear left: ø 140mm, 1.2kW
- Front left: ø 180mm, 1.8kW
- Rear right dual zone: ø 140/210mm, 1.1/2.4kW
- Front right: ø 140mm, 1.2kW

- "Suprema" black ceramic glass
- 9 power levels
- 4 boosters
- Quick start
- Ultra low
- Residual heat indicators
- Automatic safety cut-out
- Front control panel

- Nominal Power: 6.6 kW
- Supply can vary depending on usage, please consult a qualified electrician for ampere requirement



NB: This model will replace the SE2641TC1 once stock has been exhausted

Functions





Touch controls:

Easy to use touch controls allow the appliance to be programmed at the touch of a button.



Time elapsed:

shows how long the cooking zone has been in use



Power booster:

option allows the zone to work at full power when very intense cooking is necessary.



Timer:

All ceramic hobs have a timer which automatically ends cooking after a preset time.



ECO-logic:

option allows you to restrict the power limit of the appliance real energy saving.



Ultra low:

option is ideal for melting chocolate or butter or simply to keep food warm.



Quick Start:

When the Quick Start function is selected, the chosen temperature is reached faster. The heating element works at maximum power until the right temperature is reached.



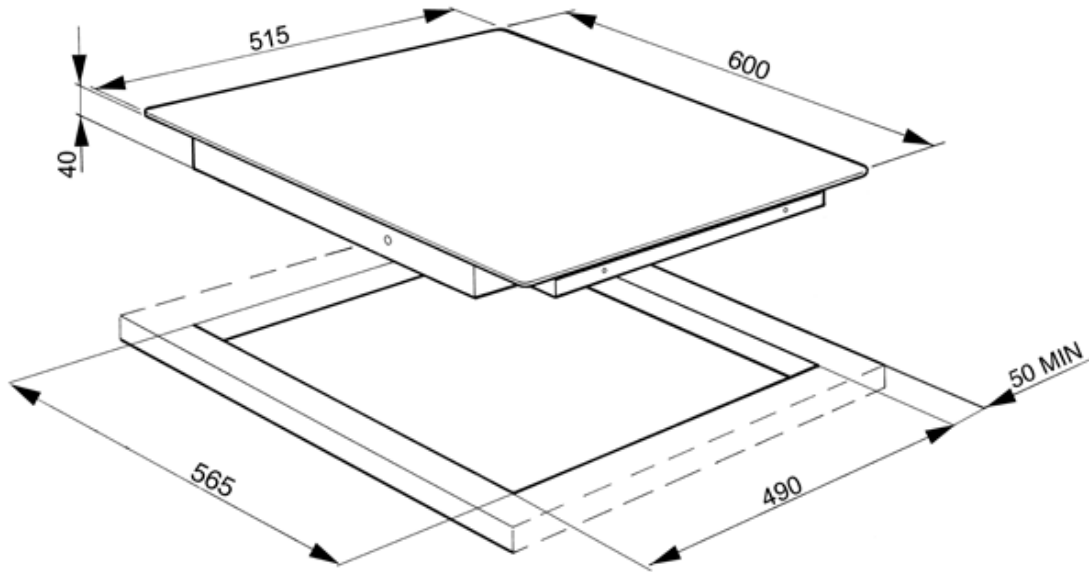
Child lock:

some models are fitted with a device to lock the programme/cycle so it cannot be accidentally changed.



SE2641TC2

ceramic hob
60 cm
touch control



Smeg (UK) Ltd
The Magna Building, Wyndyke Furlong, Abingdon
OX14 1DZ
Tel. +44 (0)844 557 9907
Fax +44 (0)844 557 9337